



## Vendor Tables and E-Z UP® Table Covers

Dress up your table with a splash of color or promotional logo or message with a table cover by International E-Z UP. Multi-purpose table covers can cover materials stowed beneath tables as well as place your brand up front and center! Using the same fabric and graphic capabilities as your E-Z UP® portable shelter, you will have the perfect match to your Instant Shelter® ensemble.



Event Marketing   Rental Industry   Business & Civic Events   Portable Signage   Rental Industry   Catering Events  
Instant Signage   Corporate Events   Catering   Trade Shows   Indoor & Outdoor Display   Exhibit Booths  
Sponsorship Recognition   Advertisement   Party Rentals   Commercial Use   Racing   Product Demonstrations

### TABLE FEATURES:

- ◇ Two Convenient Sizes:  
2' x 4' (0.6 m x 1.2 m)  
2.5' x 6' (0.8 m x 1.8 m)
- ◇ 2' x 4' Table has Three Adjustable Height Settings:  
24" (61 cm)  
29" (74 cm)  
36" (91 cm)
- ◇ 2.5' x 6' Table is a Convenient 29" (74 cm) Tall
- ◇ Folding Table Top Design
- ◇ Stain Resistant Plastic Top is Easy to Clean
- ◇ Rugged Polyethylene Construction

### TABLE COVER FEATURES:

- ◇ Available Sizes:  
2' x 4' (0.6 m x 1.2 m)  
2.5' x 6' (0.8 m x 1.8 m)  
and Custom Sizes
- ◇ Professional Grade Fabric Available in 22 Custom Colors to Match your Shelter
- ◇ Heavy - Duty Zipper Back for Ease of Use and Under Table Storage
- ◇ Custom Sewn to Ensure a Professional, Exact Fit Every Time

### TABLE COVER CUSTOM GRAPHIC OPTIONS:

- ◇ Imprint Graphics
- ◇ Full - Bleed Digital Printing

International E-Z UP, Inc.  
1900 Second Street  
Norco, California 92860  
(951) 279-0999 • FAX (800) 810-8775

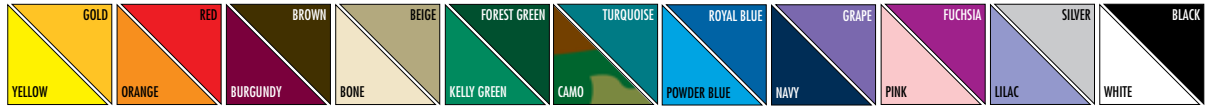
**TO ORDER:**  
**(800) 45-SHADE**  
**(800) 457-4233**



# Vendor Table • E-Z UP® Table Covers

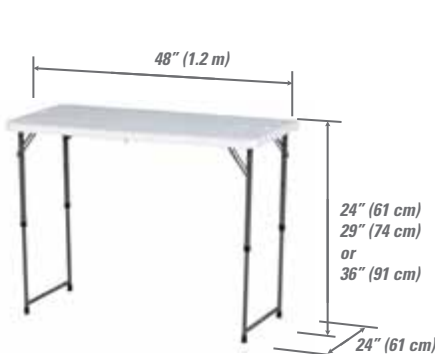
## Spec Sheet

### E-Z UP® Vendor Table Cover Professional Colors:

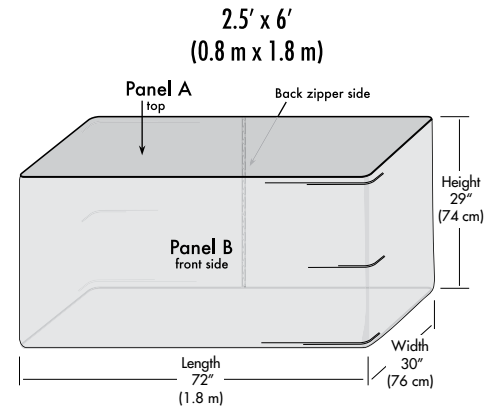
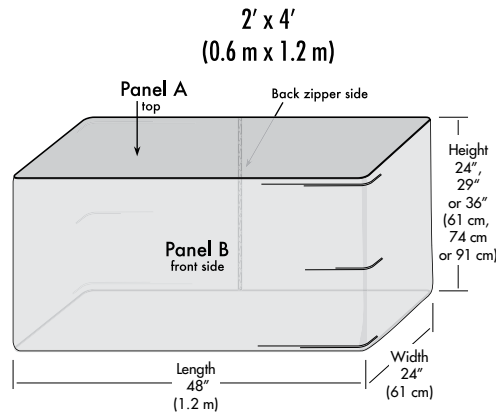


### E-Z UP® Vendor Table and Table Covers:

Note: Grey Area Shows Full Bleed Digital Print Option

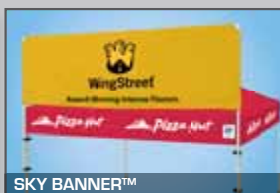
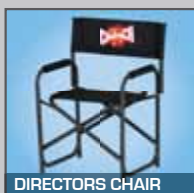


Product Shown  
2' x 4' (0.6 m x 1.2 m) Vendor Table



PRODUCT NAME	VENDOR TABLES		E-Z UP® VENDOR TABLE COVERS	
SIZE	2' x 4' (0.6 m x 1.2 m)	2.5' x 6' (0.8 m x 1.8 m)	2' x 4' (0.6 m x 1.2 m) Custom Sizes Available	2.5' x 6' (0.8 m x 1.8 m) Custom Sizes Available
PRODUCT INCLUDES	Stain Resistant Plastic Top • Rugged Polyethylene Construction		Professional Grade Fabric • Heavy-Duty Zipper Back • Choice of Fabric Colors	
PRODUCT COMPATIBILITY			Vendor Table (Instant Table™ Covers also available - See Instant Table Spec Sheet for information)	
SHIPPING WEIGHT	23 lbs. (10.4 kg)	38 lbs. (17.2 kg)	2 lbs. (0.9 kg)	2 lbs. (0.9 kg)
BOX DIMENSIONS	25" L x 25" W x 5" H (64 cm x 64 cm x 13 cm)	39" L x 31" W x 5" H (99 cm x 79 cm x 13 cm)	18" L x 12" W x 2" H (46 cm x 31 cm x 5 cm)	
HEIGHT ADOPTIONS	24" • 29" • 36" (61 cm • 74 cm • 91 cm)	29" (74 cm)	24" • 29" • 36" (61 cm • 74 cm • 91 cm)	29" (74 cm)
WARRANTY	1 Year			

Ask About Our Other E-Z UP® Instant Products... We Make Life E-Z™!



International E-Z UP, Inc.  
1900 Second Street  
Norco, California 92860  
(951) 279-0999 • FAX (800) 810-8775

TO ORDER:  
**(800) 45-SHADE**  
**(800) 457-4233**