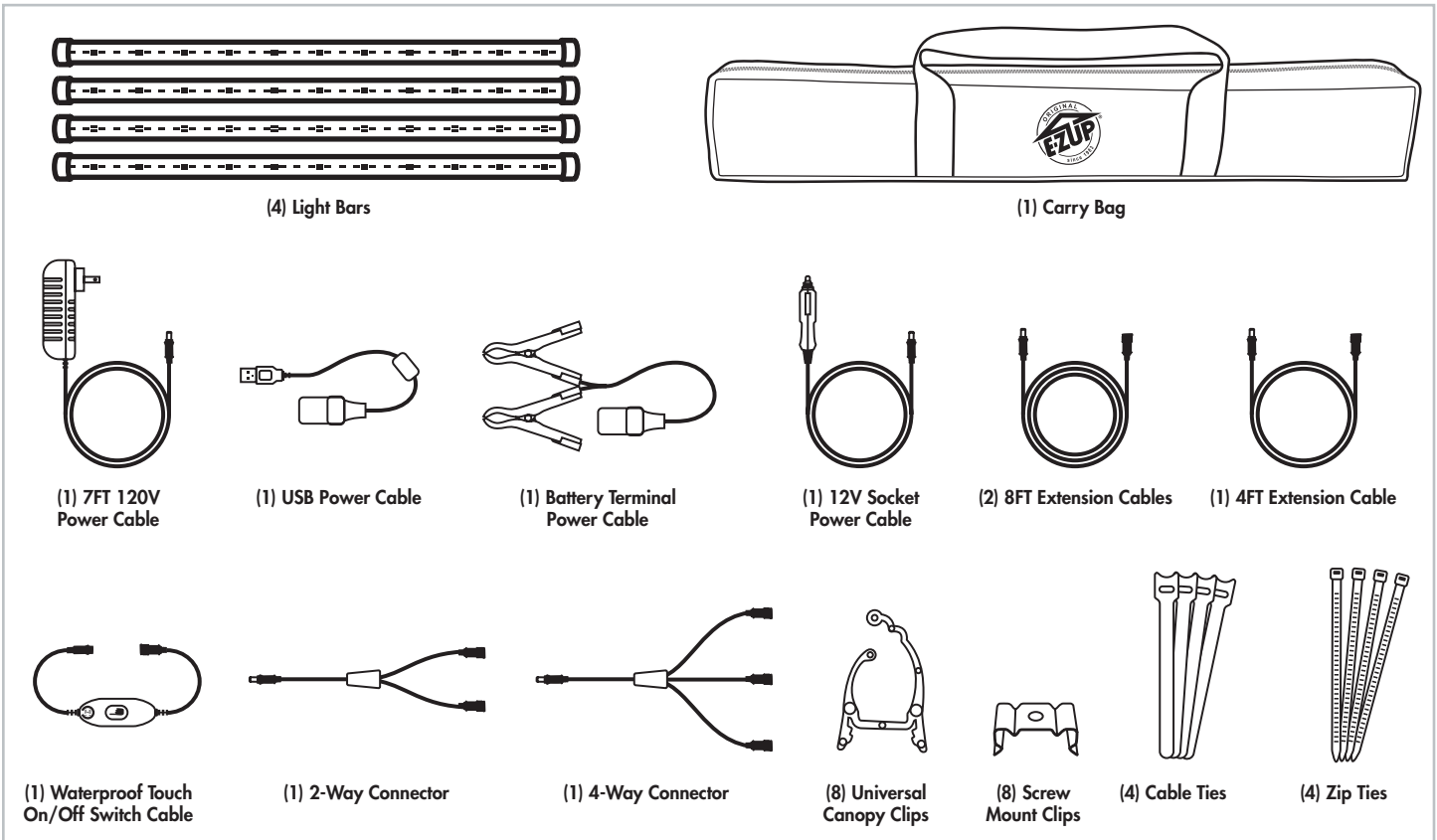




# INSTRUCTIONS FOR E-Z UP LINK LIGHT SYSTEM™

## WHAT'S IN THE BOX



## SET UP

### Unpack and Open

1. Find a suitable mounting location for your E-Z UP Link Light System Bar(s) that will allow for running wires and mounting Light Bars.
  2. Place the first Light Bar and mount with one of your selected mounting options provided.
- Note:** If applicable, ensure to leave enough space to allow for additional Light Bars.

## MOUNTING OPTIONS

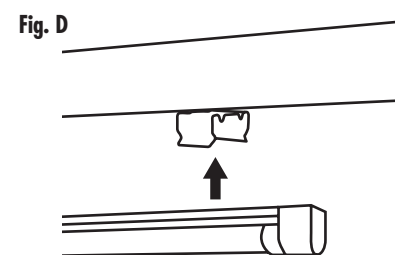
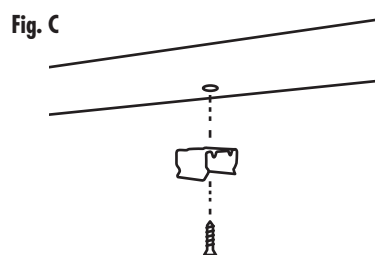
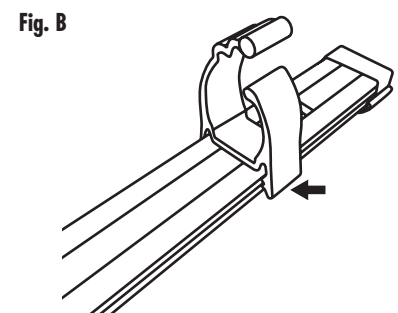
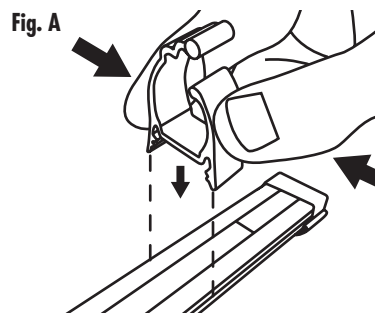
### Universal Canopy Clips

1. Apply pressure to both sides of Canopy Clip to open. (Fig. A)
2. Apply to back of light (mounting bracket).
3. Secure onto mounting surface on frame. (Fig. B)

**Note:** Do not put Canopy Clip directly on/off without applying pressure as illustrated in Fig. A. Failure to follow instructions will potentially damage Canopy Clip.

### Screw Mount Clips

1. Mark the desired hole location and carefully inspect selected location to ensure there are no components that will be damaged due to drilling.
2. Affix the Screw Mount Clip to the desired location and secure with screw. (Fig. C)
3. Carefully snap Light Bar to Screw Mounting Clip. (Fig. D)





# INSTRUCTIONS FOR E-Z UP LINK LIGHT SYSTEM™

## MOUNTING OPTIONS

### Cable Ties

1. Secure **Light Bar** to mounting location by wrapping **Cable Tie** around both and inserting rounded end of **Cable Tie** through hole in strap and pulling secure. (Fig. E)
2. Wrap tie around **Light Bar** and back onto itself to secure.
3. If necessary, cut **Cable Tie** to desired length.

### Zip Ties

1. Secure **Light Bar** to mounting location by wrapping **Zip Tie** around both and inserting rounded end of **Zip Tie** through hole in tie and pulling secure. (Fig. F)
2. Wrap tie around **Light Bar** and back onto itself to secure.
3. If necessary, cut **Zip Tie** to desired length.

### Magnet

1. Simply affix the back of the **Magnet** (Fig. G) located on the rear of the **Light Bar** to the desired mounting location. (Fig. H)

### Operating Light Bar

1. One Push: Amber Light
- Two Push: Day Light
- Three Push: Warm Light

**Note:** Unplug power source to turn off light. Back of light may be warm, let cool down prior to removing.

## TAKEDOWN

1. Reverse steps.
2. Store in **Carry Bag** provided.

### IMPORTANT INFORMATION

1. Do not submerge light in water with a depth greater than 3.3 feet and/or more than 30 minutes.
2. Do not link more than 8 Light Bars together.
3. In event of light not illuminating, inspect 12V adapter fuse, as follows.
  - 1) Unscrew **12V Socket Tip**.
  - 2) Remove and replace fuse, if required. (Fig. I)
  - 3) Close tip securely.
 If fuse is blown, replace with a Fuse# F3AL250 (3A)

Fig. E

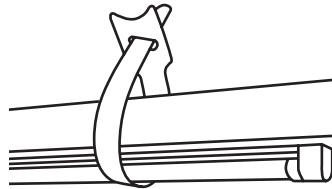


Fig. F

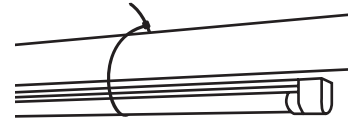


Fig. G

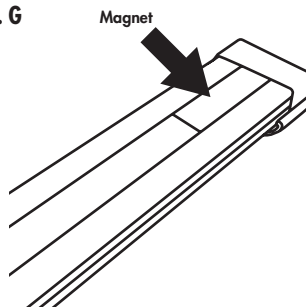


Fig. H

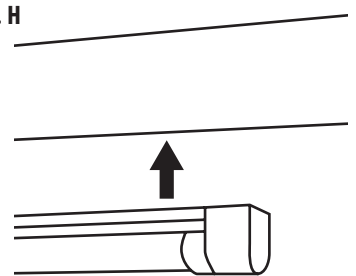
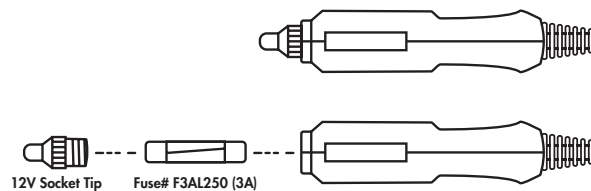
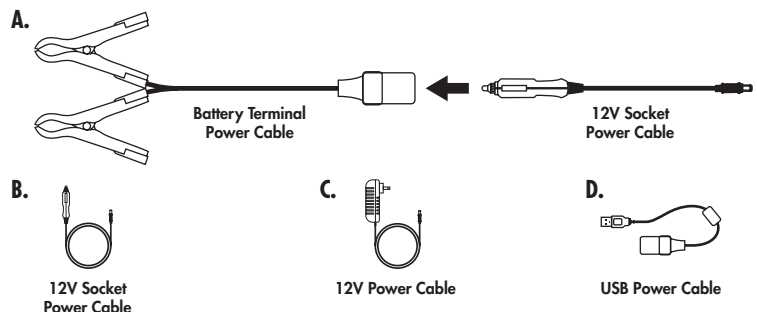


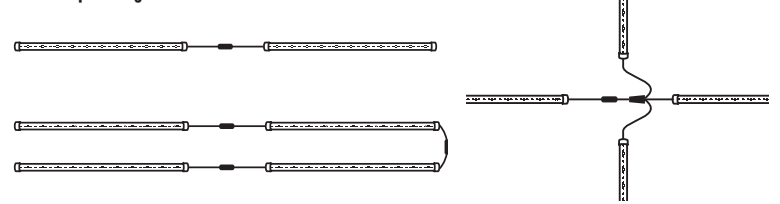
Fig. I



### POWER SOURCE CONNECTION GUIDE:



### Linkable up to 8 Light Bars



### SAFETY MESSAGE TO E-Z UP LINK LIGHT SYSTEM USERS

It is important to read, understand and follow all instructions when installing your Light Bar. Failure to follow all instructions may result in Light Bar damage or injury to yourself or others.