

# Vendor Table • E-Z UP® Stretch Fit Table Covers Spec Sheet



## Vendor Tables and E-Z UP® Stretch Fit Table Covers

Turn your E-Z UP vendor table into a marketing billboard with a NEW stretch fit table cover by International E-Z UP. These stylish table covers cling to your table or traditional drape for a unique fit. They cover materials stowed beneath tables as well as place your brand up front and center!



Event Marketing   Rental Industry   Business & Civic Events   Portable Signage   Rental Industry   Catering Events  
Instant Signage   Corporate Events   Catering   Trade Shows   Indoor & Outdoor Display   Exhibit Booths  
Sponsorship Recognition   Advertisement   Party Rentals   Commercial Use   Racing   Product Demonstrations

### TABLE FEATURES:

- ◇ Two Convenient Sizes:  
2' x 4' (0.6 m x 1.2 m)  
2.5' x 6' (0.8 m x 1.8 m)
- ◇ 2' x 4' Table has Three Adjustable Height Settings:  
24" (61 cm)  
29" (74 cm)  
36" (91 cm)
- ◇ 2.5' x 6' Table is a Convenient 29" (74 cm) Tall
- ◇ Folding Table Top Design
- ◇ Stain Resistant Plastic Top is Easy to Clean
- ◇ Rugged Polyethylene Construction

### STRETCH FIT TABLE COVER FEATURES:

- ◇ Available Sizes:  
2' x 4' (0.6 m x 1.2 m)  
Fits Vendor Table  
2.5' x 6' (0.8 m x 1.8 m)  
Fits Vendor Table  
2.5' x 8' (0.8 m x 2.5 m)  
Fits Vendor Table\*  
[\*Vendor Table not sold by E-Z UP]
- ◇ Professional Grade Fabric
- ◇ Hugs the Table Legs for a Form Fitting, Wrinkle Free Display
- ◇ Reinforced Footpads for Added Durability on Hard Surfaces

### STRETCH FIT CUSTOM GRAPHIC OPTIONS:

- ◇ Full - Bleed Digital Printing

International E-Z UP, Inc.  
1601 Iowa Avenue  
Riverside, California 92507  
(951) 781-0843 • FAX (800) 810-8775

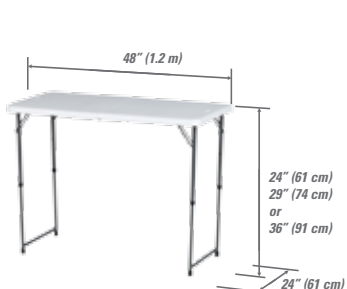
TO ORDER:  
**(800) 45-SHADE**  
**(800) 457-4233**

# Vendor Table • E-Z UP® Stretch Fit Table Covers Spec Sheet

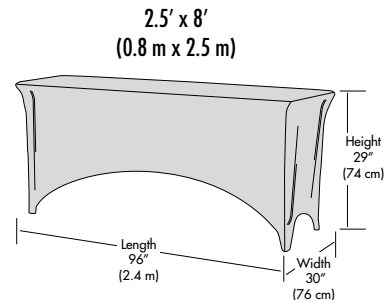
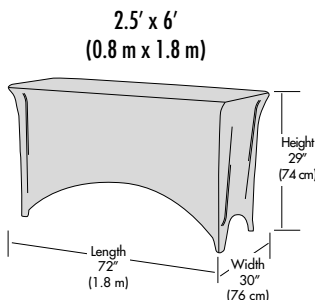
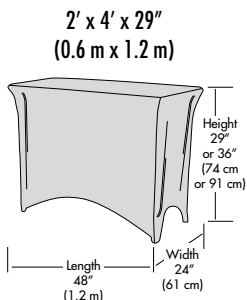


## E-Z UP® Vendor Table and Stretch Fit Table Covers:

Note: Grey Area Shows Full Bleed Digital Print Option



Product Shown  
2' x 4' (0.6 m x 1.2 m) Vendor Table



PRODUCT NAME	VENDOR TABLES		E-Z UP® STRETCH FIT VENDOR TABLE COVERS		
	SIZE	SIZE	SIZE	SIZE	SIZE
	2' x 4' (0.6 m x 1.2 m)	2.5' x 6' (0.8 m x 1.8 m)	2' x 4' (0.6 m x 1.2 m)	2.5' x 6' (0.8 m x 1.8 m)	2.5' x 8' (0.8 m x 2.5 m)
PRODUCT INCLUDES	Stain Resistant Plastic Top Rugged Polyethylene Construction		Professional Grade Fabric		
PRODUCT COMPATIBILITY			Vendor Tables (Instant Table™ Stretch Fit Covers - COMING SOON)		
SHIPPING WEIGHT	23 lbs. (10.4 kg)	38 lbs. (17.2 kg)	29" – 2.2 lbs. (1.0 kg) 36" – 2.6 lbs. (1.2 kg)	2.9 lbs. (1.3 kg)	4 lbs. (1.8 kg)
BOX DIMENSIONS	25" L x 25" W x 5" H (64 cm x 64 cm x 13 cm)	39" L x 31" W x 5" H (99 cm x 79 cm x 13 cm)	18" L x 12" W x 2" H (46 cm x 31 cm x 5 cm)		
HEIGHT ADOPTIONS	24" • 29" • 36" (61 cm • 74 cm • 91 cm)	29" (74 cm)	29" • 36" (74 cm • 91 cm)	29" (74 cm)	29" (74 cm)
WARRANTY	1 Year				

Ask About Our Other E-Z UP® Instant Products... We Make Life E-Z™!



International E-Z UP, Inc.  
1601 Iowa Avenue  
Riverside, California 92507  
(951) 781-0843 • FAX (800) 810-8775

TO ORDER:  
**(800) 45-SHADE**  
**(800) 457-4233**