



WHAT'S IN THE BOX

(1) 10' ES100S™ Frame, (1) Top, (3) Sidewalls, (1) Mid-Zip Sidewall (1) 4-Piece Spike Kit, (1) Wide-Trax™ Roller Bag

ONE-TIME TOP INSTALLATION

Unpack and Open

- A. Place your E-Z UP® **Frame** in the center of the area to be sheltered.
- B. With a partner on the opposite side of the **Frame**, grasp two outer legs, lift the **Frame** slightly off the ground, and step backward while pulling the **Frame** to open.
- C. Stop when the **Frame** is approximately 1/2 of its fully-opened size. **(Fig. A)**
- D. Set the **Frame** back on the ground.

Attach Fabric Top

- A. Gently unfold the fabric top, and place it over the semi-opened frame.
- B. Attach the fabric top to the E-Z UP® frame by matching the **Hook and Loop Strips** on the inside of the fabric top corners with the **Hook and Loop Strips** on each frame corner. **(Fig. B)**
- C. Pull the fabric top down over the frame corners—pushing the **Hook and Loop Strips** firmly together.

Secure Top to Frame

- A. Line up the grommet holes on the sides of the fabric top to the frame **Top Attachment Points**. The **Top Attachment Points** on the frame are denoted by the "RED" tags. **(Fig. C)**
- B. Using a coin, unscrew the top attachment nut from the frame bolt.
- C. Place fabric top grommet on the frame bolt.
- D. Screw on top attachment nut and tighten until snug. Top fabric should rotate easily. **Do Not** over-tighten.
- E. Repeat on each side.

SET UP

OPEN E-Z UP® Shelter

- A. With a partner on the opposite side, grasp the bottom of the diamond-shaped area of **Outer Trusses**. **(Fig. D)**
- B. Lift the frame up slightly and step backwards until the shelter is almost fully opened. Gently shake the shelter while opening. Be careful not to pinch fingers!

Secure Auto-Lock & Quick Release

- A. Fold up the **Fabric Top Corner** to expose the **Auto-Lock & Quick Release**. **(Fig. E)**
- B. Lift shelter corner slightly off the ground and engage the **Auto-Lock & Quick Release** by pushing up on the frame side trusses with one hand while holding down the top of the frame leg with the other hand. The pins will auto-engage when aligned with the holes on the frame legs.
- C. After the **Auto-Lock & Quick Release** has locked into place, pull the fabric top down over the frame leg, making sure to align and secure the hook and loop strips on the fabric top to the frame.
- D. Repeat on all remaining corners.

Extend & Secure Frame Legs

- A. With a partner, lift the two adjacent **Outer Legs** up off the ground simultaneously to about waist height.
- B. Slide the **Lower/Inner Legs** out until the **E-Z Glide™ Leg Adjusters** lock at selected height on each leg. **(Fig. F)**
Note: There are 5 adjustment settings on each leg.
- C. Repeat on the remaining legs.

Note: It is recommended that you use genuine E-Z UP® Deluxe Weight Bags, Water Weight Bags, Weight Plates and/or Heavy-Duty Stake Kits to secure your shelter.

Your E-Z UP® shelter setup is now complete!

Attaching Sidewalls to Shelter

In order to attach your sidewalls to your shelter, your ES100S™ should be set up and in its intended location.

- A. Slightly lift up the fabric valance corners on the side of the shelter from which you will begin to hang each sidewall.
- B. Identify the top of the sidewall (includes four **Truss Clips**). Attach each of the **Truss Clips** to the top truss on the ES100S™ frame. Be sure the open side of each clip is facing into the shelter (not facing toward the outside). **(Fig. G)**
- C. Secure the sidewall to the frame by attaching each **Hook and Loop Strip** to the outer leg.
- D. Utilize E-Z **Attachment Points** to hang your gear.

Sidewall Rollup Features

Your ES100S™ includes a **Toggle and Loop** feature that allows you to roll up and secure your sidewalls as needed.

- A. Detach each edge of the sidewall from the frame legs by undoing the hook and loop strips.
- B. Starting at the bottom, roll up the sidewall.
- C. Secure the rolled up sidewall to the top of the frame truss by wrapping the toggle around one end and the loop around the other. Fit the toggle through the strip and twist to secure. **(Fig. H)**
- D. Repeat on remaining sidewalls.

Fig. A

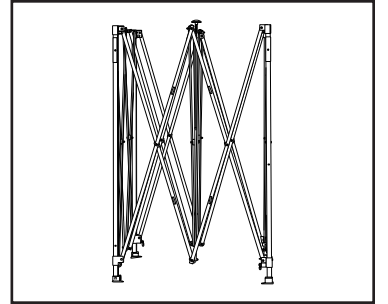


Fig. B

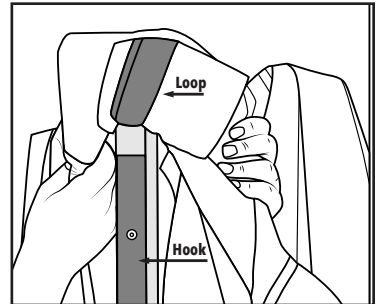


Fig. C

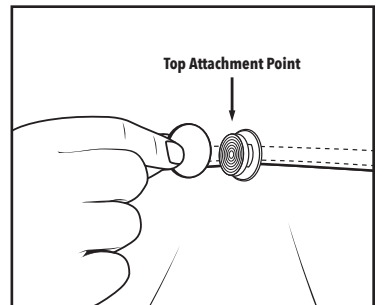


Fig. D

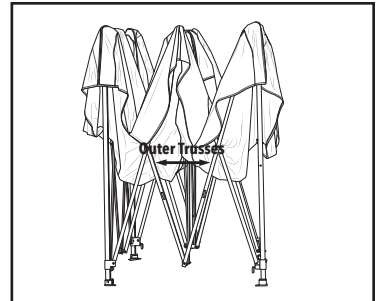


Fig. E

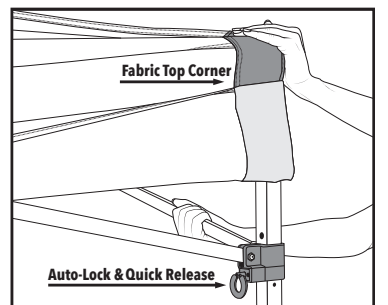


Fig. F

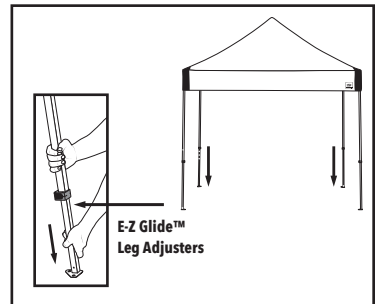


Fig. G

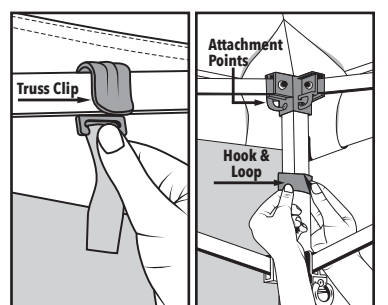
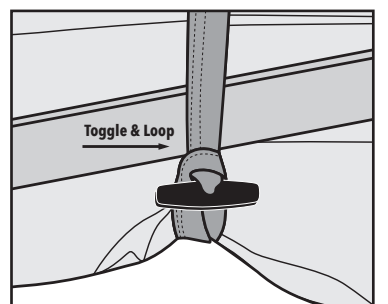


Fig. H





INSTRUCTIONS FOR ES100S™

TAKEDOWN

Remove Sidewalls

- Remove sidewall strips from around each frame leg.
- Remove truss clips from shelter trusses.

Collapse Shelter Legs

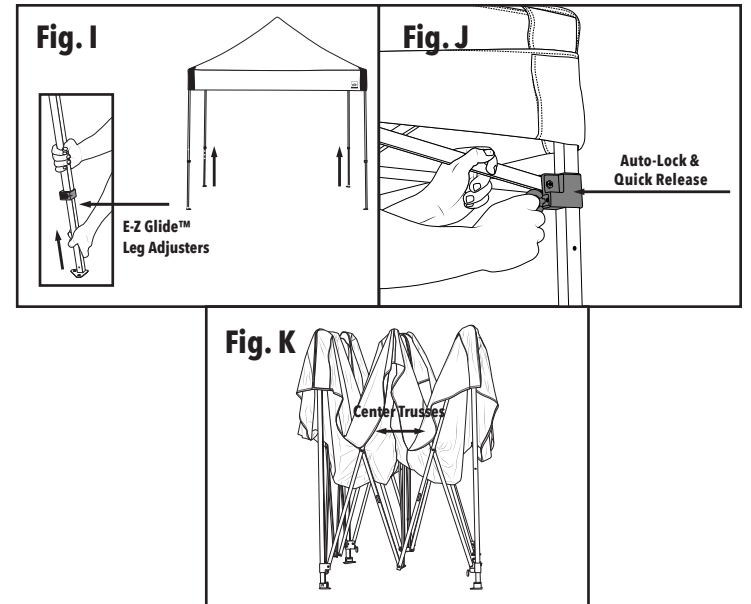
- With a partner, slightly lift two adjacent corner legs simultaneously.
- Depress the E-Z Glide™ Leg Adjusters and slide **Lower/Inner Legs into Upper/Outer Legs**, making sure to do two legs at a time on the same side. **(Fig. I)**
- Repeat on remaining legs. **Note:** Keep the E-Z Glide™ Leg Adjusters depressed while retracting leg.

Release Auto-Lock & Quick Release

- With one hand, slightly push up on the truss near the **Auto-Lock & Quick Release** to relieve pressure. **(Fig. J)**
- With the other hand, release the **Auto-Lock & Quick Release** by pulling the ring.
- Repeat on remaining legs.

Closing Shelter

- Grasp the **Frame** on the top of the diamond-shaped area of **Center Trusses** on the opposite sides. **(Fig. K)**
- Lift the shelter up slightly, and shake it while stepping toward your partner until the shelter is approximately 1/2 closed. Be careful not to pinch fingers!
- Grasp the two **Outer Legs**, and push the frame together until it is fully closed.
- Store the shelter in the roller bag provided. **Note:** Hug your shelter before placing it in the roller bag.

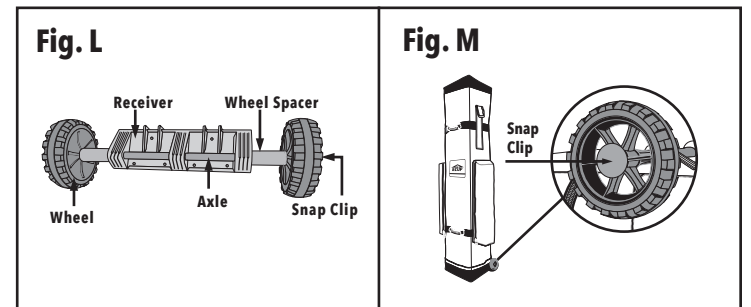


ROLLER BAG

One-Time Assembly

Use the Roller Bag to store and transport your ES100S™ Instant Shelter®, 4 Sidewalls, Optional Custom Banner, and Spike Kit.

- Slide **Axle** through Roller Bag **Receiver**. **(Fig. L)**
 - Slide the two **Wheel Spacers** onto each side of **Axle** (one on each side).
 - Slide one **Wheel** onto each side of the **Axle**.
 - Push **Snap Clip** over **Wheel Axle** end (against **Wheel**). **(Fig. M)**
- Your Roller Bag is ready to use!**



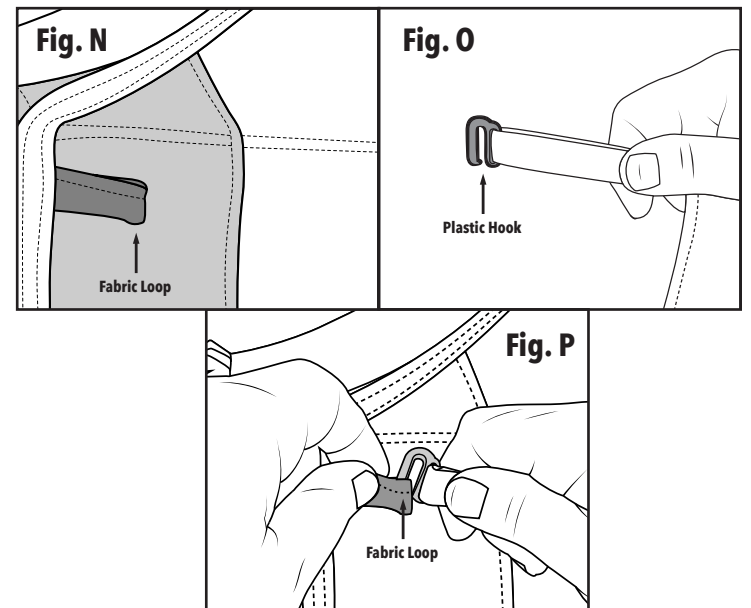
OPTIONAL CUSTOM BANNER

Attaching Your Banner

- Locate the four **Fabric Loops** that are sewn into the corners of the shelter top. **(Fig. N)**
 - Locate the four **Plastic Hooks** on the custom banner. **(Fig. O)**
 - Insert hooks into the **Fabric Loops**. **(Fig. P)**
- Note:** When taking down your E-Z UP® shelter product, be sure to remove the Custom Banner before closing the shelter. We also recommend that all accessories be removed should heavy winds or rain threaten.



The Custom Banner is sold separately. Locate the voucher attached to your frame and order yours today at www.ezup.com/csbanner.



CARE AND MAINTENANCE

For long lasting durability and the best possible protection for your E-Z UP® Instant Shelter® products, follow these E-Z care and maintenance instructions:

- Use a mild soap (not detergent) and plenty of water for the top cleaning.
- Let the E-Z UP® top and frame dry completely before closing or storing to avoid mildew.
- Frame will operate and look better if occasionally treated with silicone spray, especially before and after use in damp conditions. Remove excess silicone residue before applying top.
- Use a seam sealer (available at most sporting goods and hardware stores) if top leaks or drips water.
- Slightly tighten bolts if frame becomes loose.

REPLACEMENT PARTS

800-45-SHADE ezup.com/parts

WARRANTY INFORMATION

www.ezup.com/warranties

CONDITIONS

This warranty shall be void as to any product that has been altered or modified in any manner. This warranty does not apply to damages caused by wind, rain, or other forces of nature, not to accidental or deliberate damage of the product, nor to the use of the product that does not conform with the product instructions. This warranty is provided in lieu of all other warranties, expressed or implied.

IMPORTANT INFORMATION

Read this information before proceeding. It is the user's responsibility to take the following precautions at all times.

- Always stake or weigh down your E-Z UP® Instant Shelter® product with genuine E-Z UP® accessories. See ezup.com for products and guidelines. Do not use in any potentially windy or rainy weather.
- Wind and rain can damage the E-Z UP® Instant Shelter® product and also may result in injury to you or others. Therefore, do not rely on your shelter for protection in heavy or prolonged rain storms.
- The E-Z UP® Instant Shelter® product is designed as a temporary shelter. Do not leave up for extended periods.
- Use caution when handling the E-Z UP® folding frame.
- Avoid pinching hands or fingers as frame opens or closes.
- Do not use shelter in a lightning storm.
- Do not leave your E-Z UP® Instant Shelter® product unattended.
- Do not build fires within shelter enclosure.

WARNING:

Keep all flame and heat sources away from all Instant Shelter® fabrics and accessories. These fabrics meet the flammability requirements of CPAI-84. The fabric may burn if left in continuous contact with any flame source. The application of any foreign substance to the fabric may render the flame-resistant properties ineffective.

© Copyright 2025 International E-Z UP, Inc. USA. All rights reserved.

INTERNATIONAL E-Z UP, INC.
1900 Second St., Norco, California 92860

800-45-SHADE

The #1 Instant Shelter® Brand in the World

ezup.com